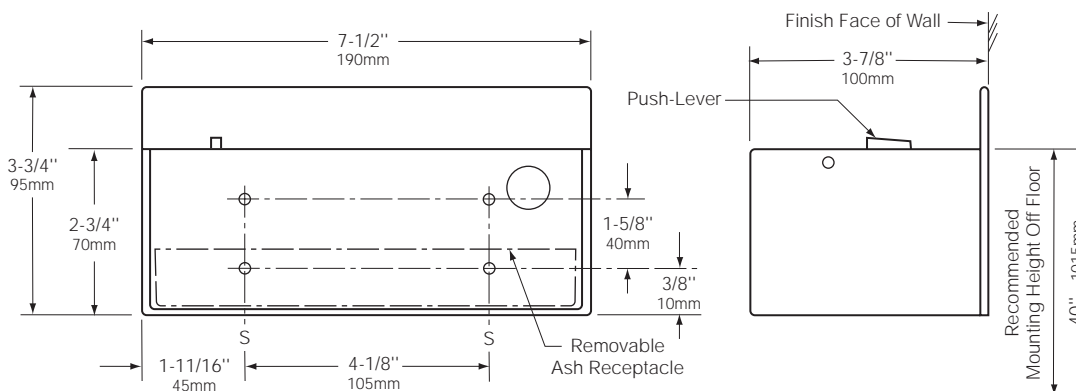




Technical Data

# SURFACE-MOUNTED WALL URN

# B-278



### MATERIALS:

**Wall Urn** — 18-8 S, type-304, 18-gauge (1.2mm) stainless steel. All-welded construction. Exposed surfaces have satin finish.

**Ashtray** — 18-8 S, type-304, 22-gauge (0.8mm) stainless steel with satin finish. Spring-loaded, self-closing panel secured to wall urn with full-length stainless steel piano-hinge. Equipped with an ABS push-lever.

**Access Door** — 18-8 S, type-304, 22-gauge (0.8mm) stainless steel with satin finish. Rolled-edge return forms fixed ashtray panel. Secured to cabinet with full-length stainless steel piano-hinge. Concealed locking device with special key provided. International graphic symbol identifies ashtray

**Ash Receptacle** — Aluminum; drawn, one-piece construction. Removable for servicing.

### OPERATION:

Push plastic lever to empty ashtray panel. Ashes fall into removable aluminum ash receptacle. Release concealed locking device on access door with special key provided and pivot upwards to remove ash receptacle.

### INSTALLATION:

Mount unit to wall with four #8 x 1-1/4" (4.2 x 32mm) sheet-metal screws (not furnished) at points indicated by an S. For plaster or dry wall construction, provide concealed backing to comply with local building codes and secure with sheet-metal screws. For other wall surfaces, provide fiber plugs or expansion shields for use with sheet-metal screws, or provide 1/8" (3mm) toggle bolts or expansion bolts.

### SPECIFICATION:

Surface-mounted wall urn shall be type-304 stainless steel with all-welded construction; exposed surfaces shall have satin finish. Ashtray shall have a self-closing panel secured to wall urn with full-length stainless steel piano-hinge and be equipped with a push-lever. Access door shall be equipped with concealed locking device. Unit shall be furnished with a removable aluminum inner ash receptacle. Manufacturer's service and parts manual shall be provided to the building owner/manager upon completion of project.

**Surface-Mounted Wall Urn shall be Model B-278 of Bobrick Washroom Equipment, Inc., Clifton Park, New York; Jackson, Tennessee; Los Angeles, California; Bobrick Washroom Equipment of Canada Ltd., Scarborough, Ontario; Bobrick Washroom Equipment Pty. Ltd., Australia; and Bobrick Washroom Equipment Limited, United Kingdom.**